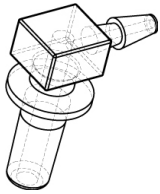


## Instructions

## Elbow Luer Adapter



The Elbow Luer Adapter is a male luer to single barb connector especially designed for the ibidi heating stage in combination with the ibidi pump system. It fits optimally in all  $\mu$ -Slides with female Luer adapters placed in the heating stage on the microscope. Apart from that the Elbow Luer Adapter may be used in any other combination connecting a female luer adapter to a tube.

### 1 Material

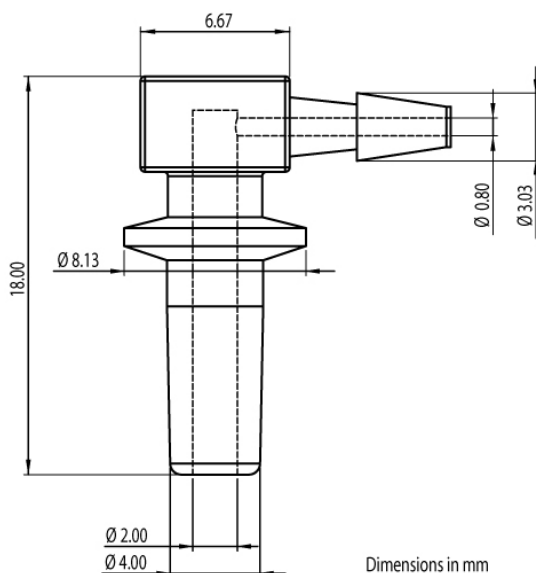
The Elbow Luer Adapter produced of polypropylene copolymer (Isplen PB 140 G2M). It is resistant to ethanol, acetone and ethyl acetate. The material is tested for cell growth compatibility. The Elbow Luer Adapter can be sterilized by autoclaving, by ethylene oxide gas or with ethanol.

### 2 Applications

The Elbow Luer Adapter can be included in any connection between a female luer adapter to a flexible tubing with an inner diameter of 0.8–1.6 mm. The very low height of 18 mm is especially designed for the application to  $\mu$ -Slides in combination with the ibidi heating stage. The total height of the luer placed in a  $\mu$ -Slide I Luer is 21 mm, so it fits optimally in the heating chamber.

### 3 Specifications

Male luer adapter	
Suitable to:	female luer adapters
Inner diameter:	2 mm
Single barb	
Suitable to:	flexible tubes, ID 0.8–1.6 mm
Inner diameter:	0.8 mm
General	
Total height:	18 mm
Temperature stability:	up to 125 °C (autoclavable)
Pressure max.:	500 mbar
Material:	polypropylene
Resistant to:	ethanol, acetone, ethyl acetate
Color	white



### 4 Ordering information

The Elbow Luer Adapter is available in a packaging size of 50 pcs.

Ordering number	Pack size	Material
10802	50 pcs, sterile	PP

### For research use only!

Further technical specifications can be found at [www.ibidi.com](http://www.ibidi.com). For questions and suggestions please contact us by e-mail [info@ibidi.de](mailto:info@ibidi.de) or by telephone +49 (0)89/520 4617 0. All products are developed and produced in Germany.

© ibidi GmbH, Am Klopferspitz 19, 82152 Martinsried, Germany.